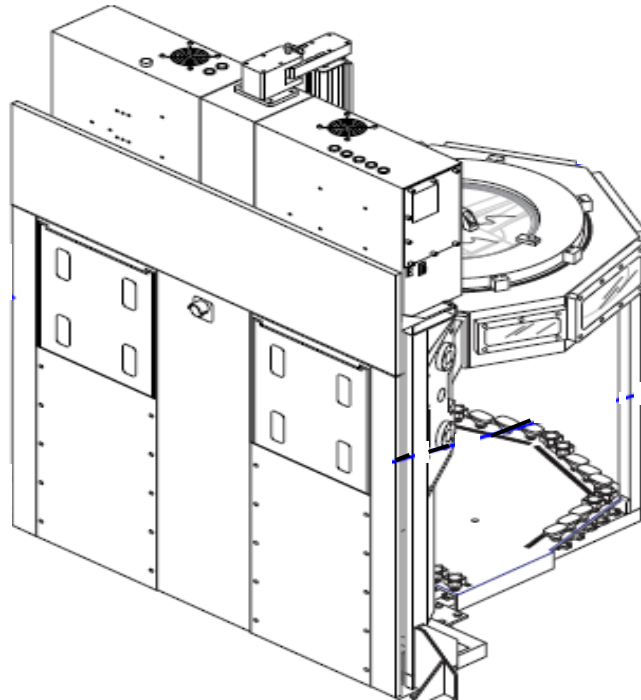




Alliance A4 9600SE Two Chamber System Configurator

Alliance Type:
Alliance A4
Wafer Size:
8" (200mm)
Wafer Configuration:
SEMI



ASSET NUMBER
LAM-9608SE

Process Module 1:
BLANK
Process Module 2:
A4-9600SE PM
Process Module 3:
A4-9600SE PM
Process Module 4:
BLANK
UI Configuration:
BLANK

VCE Doors:
Automatic
VCE Seal:
Bellows
VCE Platform:
Detached

Remote UI:
No
Remote UI Cable Length:
N/A
LightTower:
No

Alliance Remote AC Box:
Yes
TCU/Pumps Remote AC Box:
Yes
EMO Cable Length:
Not Included

Coolstation:
No
Pumping Configuration:
Single
Gas Panel
Integrated

System Serial Number:
8126

The information contained in this document is proprietary to **OEM GROUP** Inc. Any unauthorized use is prohibited.

Special Instructions:

- Alliance 9600SE - TM - Missing most parts.
- Chamber SN: 96-09 (Missing Chambers, Electrical Components, Vacuum Components)
 - Chamber SN: 96-10 (Missing Chambers, Electrical Components, Vacuum Components)
- Auxillary equipment
- Remote Power Module (RPM) & Integrated Gas Box
 - AC Power Box and other support components